

# **HP-UX 11i v2 Network Command Differences when Using HP BL860c and BL870c Server Blades**

**For igelan Driver Version B.11.23**

**HP C-Class Blade Systems**



**December 07**

Printed in the U.S.A.

© Copyright 2007 Hewlett-Packard Development Company, L.P.

---

## Legal Notices

The information in this document is subject to change without notice.

*Hewlett-Packard makes no warranty of any kind with regard to this manual, including, but not limited to, the implied warranties of merchantability and fitness for a particular purpose.* Hewlett-Packard shall not be held liable for errors contained herein or direct, indirect, special, incidental or consequential damages in connection with the furnishing, performance, or use of this material.

### Warranty

A copy of the specific warranty terms applicable to your Hewlett-Packard product and replacement parts can be obtained from your local Sales and Service Office.

### Restricted Rights Legend

Use, duplication or disclosure by the U.S. Government is subject to restrictions as set forth in subparagraph (c) (1) (ii) of the Rights in Technical Data and Computer Software clause at DFARS 252.227-7013 for DOD agencies, and subparagraphs (c) (1) and (c) (2) of the Commercial Computer Software Restricted Rights clause at FAR 52.227-19 for other agencies.

HEWLETT-PACKARD DEVELOPMENT COMPANY L.P.  
20555 S.H. 249  
Houston, Texas 77070

Use of this document and any supporting software media supplied for this pack is restricted to this product only. Additional copies of the programs may be made for security and back-up purposes only. Resale of the programs, in their present form or with alterations, is expressly prohibited.

## HP-UX 11i v2 Network Command Differences when Using BL860c and BL870c Server Blades

---

### HP-UX 11i v2 Network Command Differences when Using BL860c and BL870c Server Blades

Following is an explanation of how to use HP-UX 11i v2 networking commands with the HP BL860c and BL870c Server Blades. The commands work in conjunction with the **GigEther-01 (igelan)** gigabit Ethernet Driver for HP-UX 11i v2. The **GigEther-01** driver began supporting the BL860c in September 2006 and both the BL860c and BL870c in December 2007.

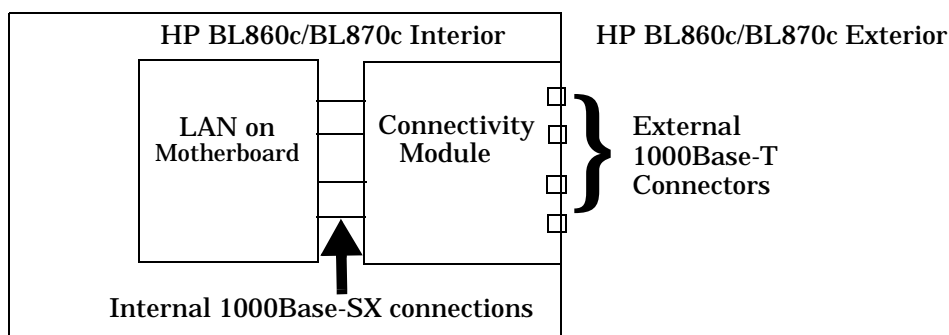
The HP-UX 11i v2 networking commands `nettl` and `lanadmin` identify the BL860c and BL870c slightly differently depending on whether the HP-UX version is from before December 2007 or after.

#### nettl and lanadmin Command Output for Driver Versions Before December 2007

The following explanation describes how to use HP-UX 11i v2 networking commands on the HP BL860c and BL870c Server Blades on versions of HP-UX 11i v2 from September 2006 up to December 2007.

- In HP-UX 11i v2 versions before December 2007, the networking commands `nettl` and `lanadmin` both display the BL860c and BL870c LAN card media type as “Base-SX” (fiber) even though the external connectors are 1000Base-T (copper). This is based on the hardware and software design of the HP BL860c and BL870c server blades. The `nettl` and `lanadmin` commands are working as intended. The `nettl` and `lanadmin` commands are delivering results for an internal LAN-on-motherboard (LOM), which uses a 1000Base-SX interface to pass data to a connectivity module. The connectivity module then passes data to the external network by way of 1000Base-T connectors.

In HP-UX 11i v2 versions before December 2007, networking commands `nettl` and `lanadmin` report correctly that the internal card type is 1000Base-SX.



---

**NOTE** Because the internal LAN-on-motherboard (LOM) of the HP BL860c and BL870c is 1000Base-SX, there is no need to change speed or duplexity.

---

- HP-UX 11i v2 command `ioscan` does not report the media type of the internal LAN-on-motherboard (LOM) on the HP BL860c and BL870c as either 1000Base-SX or 1000Base-T, whereas for LAN cards in non-blade servers, `ioscan` does show the media type. The commands in the following table show how HP-UX 11i v2 driver versions before December 2007 identify the internal LAN interface of the HP BL860c and BL870c.

**Table 1 Command Output for Driver Versions before December 2007**

Command	Displays message similar to
<code>ioscan -kfnC lan</code>	HP PCI-X 1000Mbps Dual-port Built-in
<code>lanadmin -g &lt;ppa&gt;</code>	lan<ppa> HP PCI-X 1000Base-SX Release B.11.23.0609
<code>nettl logs</code>	<4000> 1000Base-SX in path 0/1/1/0

**nettl and lanadmin Command Output for Driver Versions of December 2007 and Later**

To identify the internal LAN interface on the HP BL860c and BL870c, please use the commands in the following table with HP-UX 11i v2 driver versions of December 2007 and later.

**Table 2 Command Output for Driver Versions of December 2007 and Later**

Command	Displays message similar to
<code>ioscan -kfnC lan</code>	HP PCI-X 1000Mbps Dual-port Built-in
<code>lanadmin -g &lt;ppa&gt;</code>	lan<ppa> HP PCI-X 1000Mbps Release B.11.23.0712
<code>nettl logs</code>	<4004> 1000Mbps in path 0/1/1/0