

HP J3420B HP-HSC ATM/155 Adapter for Industrial Workstations Installation Guide

HP 9000 Networking



**Manufacturing Part Number: J3420-90001
E0499**

U.S.A.

© Copyright 1999, Hewlett-Packard Company.

Legal Notices

The information in this document is subject to change without notice.

Hewlett-Packard makes no warranty of any kind with regard to this manual, including, but not limited to, the implied warranties of merchantability and fitness for a particular purpose. Hewlett-Packard shall not be held liable for errors contained herein or direct, indirect, special, incidental or consequential damages in connection with the furnishing, performance, or use of this material.

Warranty. A copy of the specific warranty terms applicable to your Hewlett-Packard product and replacement parts can be obtained from your local Sales and Service Office.

Restricted Rights Legend. Use, duplication or disclosure by the U.S. Government is subject to restrictions as set forth in subparagraph (c) (1) (ii) of the Rights in Technical Data and Computer Software clause at DFARS 252.227-7013 for DOD agencies, and subparagraphs (c) (1) and (c) (2) of the Commercial Computer Software Restricted Rights clause at FAR 52.227-19 for other agencies.

HEWLETT-PACKARD COMPANY
3000 Hanover Street
Palo Alto, California 94304
U.S.A.

Use of this manual and flexible disk(s) or tape cartridge(s) supplied for this pack is restricted to this product only. Additional copies of the programs may be made for security and back-up purposes only. Resale of the programs in their present form or with alterations, is expressly prohibited.

Copyright Notices. ©copyright 1983-99 Hewlett-Packard Company, all rights reserved.

Reproduction, adaptation, or translation of this document without prior written permission is prohibited, except as allowed under the copyright laws.

©copyright 1979, 1980, 1983, 1985-93 Regents of the University of California

This software is based in part on the Fourth Berkeley Software Distribution under license from the Regents of the University of

California.

©copyright 1980, 1984, 1986 Novell, Inc.

©copyright 1986-1992 Sun Microsystems, Inc.

©copyright 1985-86, 1988 Massachusetts Institute of Technology.

©copyright 1989-93 The Open Software Foundation, Inc.

©copyright 1986 Digital Equipment Corporation.

©copyright 1990 Motorola, Inc.

©copyright 1990, 1991, 1992 Cornell University

©copyright 1989-1991 The University of Maryland

©copyright 1988 Carnegie Mellon University

Trademark Notices UNIX is a registered trademark of The Open Group.

X Window System is a trademark of the Massachusetts Institute of Technology.

MS-DOS and Microsoft are U.S. registered trademarks of Microsoft Corporation.

OSF/Motif is a trademark of the Open Software Foundation, Inc. in the U.S. and other countries.

Contents

1. Before Installing the HP-HSC ATM/155 Adapter

| | |
|---------------------------------|----|
| Computer Requirements | 13 |
| Package Contents | 14 |
| Tools and Accessories | 15 |
| Switch Specifications | 16 |
| Cables | 17 |

2. Installing the HP-HSC ATM/155 Adapter

| | |
|-------------------------------------------|----|
| Installation Steps | 21 |
| Verifying Hardware Installation | 26 |

Contents

Safety and Regulatory Information

Safety Information

All inputs/outputs of the J3420B HP-HSC ATM/155 adapter are Safety Extra Low Voltage (SELV) circuits.

CAUTION

The hardware contains electronic components that can be damaged by static electricity. To avoid damage, follow these guidelines:

- Store the hardware in its conductive plastic bag.
- If possible, work in a static-free area.
- Handle circuit boards by the edges only.

Do not touch electronic components or electrical traces. We strongly **recommend** that you use a grounding wrist strap that is connected to the metallic chassis of the host computer. If you do not have a wrist strap, touch the chassis before handling adapters and frequently thereafter to equalize any static charge.

Laser Information

Class 1 Laser product. Hazardous radiation inside the fiber optic module. Do not open. Refer to qualified personnel only.

Wavelength: 1330 nm.

Power Consumption

The J3420B adapter is powered from the HP-HSC connector and has the following maximum power consumption requirements:

| J3420B | |
|---------|---------|
| Voltage | Wattage |
| +5 V | 15 W |
| +12 V | 0 W |
| -12 V | 0W |

Regulatory Information

For the United States

Federal Communications Commission (FCC) Radio Frequency Interference Statement.

This device complies with Part 15 of the FCC rules. Operation is subject to the following two conditions:

1. This device may not cause harmful interference, and
2. This device must accept any interference received, including interference that might cause undesired operation.

This equipment has been tested and found to comply with the limits for a Class A digital device, pursuant to Part 15 of the FCC rules. These limits are designed to provide reasonable protection against harmful interference when the equipment is operated in a commercial environment. This equipment generates, uses, and can radiate radio frequency energy, and if not installed and used in accordance with the instruction manual, may cause harmful interference to radio communications. Operation of this equipment in a residential area is likely to cause harmful interference, in which case the user will be required to correct the interference at his own expense.

Hewlett-Packard's system verification tests were conducted with HP-supported peripheral devices and cables. Use of this adapter in non-HP systems may void the user's authority to operate the equipment.

For Canada

Canadian regulations ICES-003

Warning: Complies with Canadian Electromagnetic compatibility (EMC) Class A requirements.

Pour le Canada

Conforme à la class A des normes Canadiennes de compatibilité électromagnétique (CEM).

Pour la France

Déclarations d'installation et de mise en exploitation d'un matériel de traitement de l'information (ATI), classe A

En fonction des niveaux de perturbations radioélectriques émis, définis dans la norme européenne EN 55022 concernant la Compatibilité électromagnétique.

Cher client, Conformément à la Réglementation Française en vigueur, l'installation, ou le transfert d'installation, et l'exploitation de cet appareil de classe A, doivent faire l'objet d'une déclaration (en deux exemplaires) simultanément auprès des services suivants:

- Comité de Coordination des Télécommunications 20 Avenue de Ségur
- 75700 PARIS
- La Préfecture du département du lieu d'exploitation

Le formulaire à utiliser est disponible auprès des Préfectures. La déclaration doit être faite dans les 30 jours suivant la mise en exploitation. Le non-respect de cette obligation peut être sanctionné par les peines prévues au code des Postes et Télécommunications et celles indiquées dans la loi du 31 mai 1993.

Arrêté du 27 Mars 1993, publié au J.O du 28 Mars - ATI.

1 **Before Installing the HP-HSC
ATM/155 Adapter**

This chapter contains the following sections that discuss what you must do before you install the J3420B HP-HSC ATM/155 adapter in the Model

Before Installing the HP-HSC ATM/155 Adapter

74x Single Board Computer:

- “Computer Requirements” on page 13.
- “Package Contents” on page 14.
- “Tools and Accessories” on page 15.
- “Switch Specifications” on page 16.
- “Cables” on page 17.

Computer Requirements

Ensure that the following computer requirements are met:

- You must fit a 2-slot expansion plate to the Model 74x Single Board Computer before installing the HP-HSC ATM/155 adapter. This is because the Model 74x requires three adjacent slots in the System Enclosure when the ATM adapter is installed. Chapter 2 , “Installing the HP-HSC ATM/155 Adapter,” on page 19 includes the steps for fitting the plate.
- Up to two HP-HSC ATM/155 adapters can be installed in the 74x Single Board Computer.
- The operating system must be HP-UX 10.20 or 11.0.
- Approximately 2.5 Mbytes of free space are required in the / (root) file system.

Package Contents

CAUTION

Keep the HP-HSC ATM/155 adapter in its protective antistatic bag until installation. Electronic components can be damaged by even small amounts of static discharge. So, we strongly **recommend** that you use antistatic procedures when handling this or any other computer component. Handle the adapter by the edges and avoid touching all components and metal parts.

When you unpack the adapter hardware and software, keep all original packing materials for storing, transporting, or returning the product if necessary.

Ensure that the HP-HSC ATM/155 adapter hardware package contains the following items:

- One HP-HSC ATM/155 adapter (J3420B).
- Two plastic screws and washers.
- One Model 743*i* boot ROM (revision K or later).
- One IC removal tool.
- One grounding wrist strap.
- One 2-slot expansion plate.

Ensure that the ATM software package contains the following items:

- One CD-ROM containing the ATM link software product (J2806CA).
Note that the J2806CA ATM software is *not* locked. So, you do not need a codeword to unlock and install the software.
- The *HP ATM Release Note* you received with the software.
- One *ATM Configuration and Troubleshooting Guide* (hardcopy or on the Instant Information CD).

If any of the items are missing or damaged, contact your HP representative.

Tools and Accessories

You need the following tools to install the HP-HSC ATM/155 adapter:

- The IC removal tool supplied with the product (Model 743*i* only).
- The grounding wrist strap supplied with the product.
- A flat-bladed screwdriver.
- A No. 1 Pozidriv screwdriver.
- A Phillips head screwdriver.
- Your *74x Owner's Guide*.

Switch Specifications

Check the following on the ATM switch:

- The switch has SC or ST connectors for use with Multi-Mode Fiber (MMF) connections.
- The switch must be UNI 3.0, 3.1, or 4.0 compliant.

Cables

The HP-HSC ATM/155 adapter uses MMF connections with SC connectors. For connecting to switches with ST connectors, SC-to-ST duplex adapters are necessary. Ensure that you have the following cables:

- SC-to-SC cable.
- SC-to-ST cable (duplex adapter).
- SC loopback connector (for troubleshooting).

Before Installing the HP-HSC ATM/155 Adapter
Cables

2 Installing the HP-HSC ATM/155 Adapter

This chapter describes the steps you must follow to install the J3420B HP-HSC ATM/155 adapter in the Model 74x Single Board Computer

Installing the HP-HSC ATM/155 Adapter

system.

WARNING

Electric shock hazard. Shut down and turn off the system, and disconnect the power cable and all telecommunications network cables before opening the system or accessing the slots.

CAUTION

You must turn off the power to the system before you install the adapter. Otherwise, the equipment—the system and/or the adapter—might be damaged.

Installation Steps

CAUTION

The HP-HSC ATM/155 adapter and Model 74x Single Board Computer are vulnerable to electrostatic shock. Always wear the grounding wrist strap provided when handling the HP-HSC ATM/155 adapter and Model 74x Single Board Computer. Observe all normal antistatic precautions and always handle printed circuit boards carefully.

To install the HP-HSC ATM/155 adapter in your 74x Single Board Computer, follow these steps:

- Step 1.** Login as `root`.
- Step 2.** Shut down and power off your system as described in your *74x Owner's Guide*.

WARNING

Failure to properly shut down and power off the system might create a personal hazard, or might result in hardware damage or data corruption.

- Step 3.** Unplug the system unit power cable and the power cables of any peripheral devices from the wall outlets.
- Step 4.** Unplug the system unit power cable from the input power connector at the back of the system unit.
- Step 5.** Disconnect all telecommunications network cables.
- Step 6.** Remove the 74x Single Board Computer from the System Enclosure (see your *74x Owner's Guide* for the correct steps).
- Step 7.** If your 74x Single Board Computer does not have option boards installed, go to step 8.

If your 74x Single Board Computer does have option boards installed, see your *74x Owner's Guide* for the steps for removing the option boards. Then, go to step 8.

Installing the HP-HSC ATM/155 Adapter

Installation Steps

Step 8. If you are not installing the HP-HSC ATM/155 adapter in a Model 743i Single Board Computer, go to step 9.

If you are installing the HP-HSC ATM/155 adapter in a Model 743i system, upgrade (if necessary) the boot ROM on the 743i's CPU board.

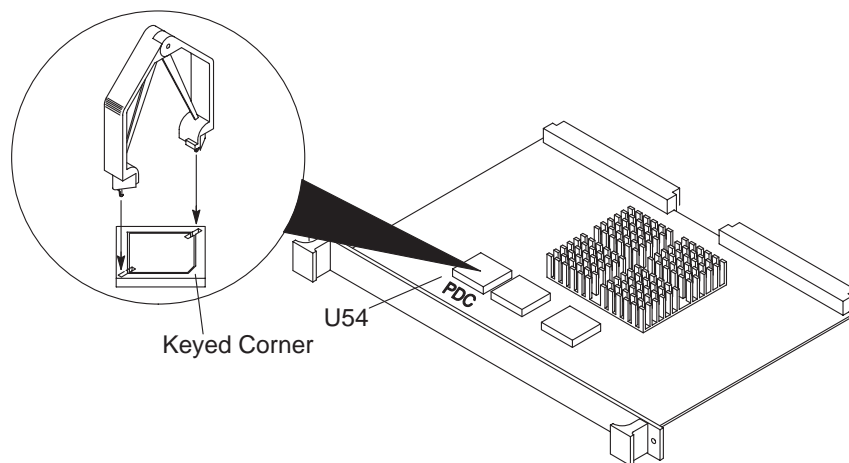
NOTE

Upgrade the boot ROM in your 743i Single Board Computer *only* if the revision number of the existing boot ROM is *lower* than the revision number of the boot ROM supplied with the ATM adapter. The revision number is clearly marked on the boot ROM.

To replace the boot ROM in a Model 743i system, follow these steps:

- a. Remove the boot ROM from its socket on the 743i system by using the IC removal tool, as shown in Figure 2-1 below. Note that the boot ROM is located at location U54 (shown on the board).

Figure 2-1 Removing the 743i Boot ROM from Socket



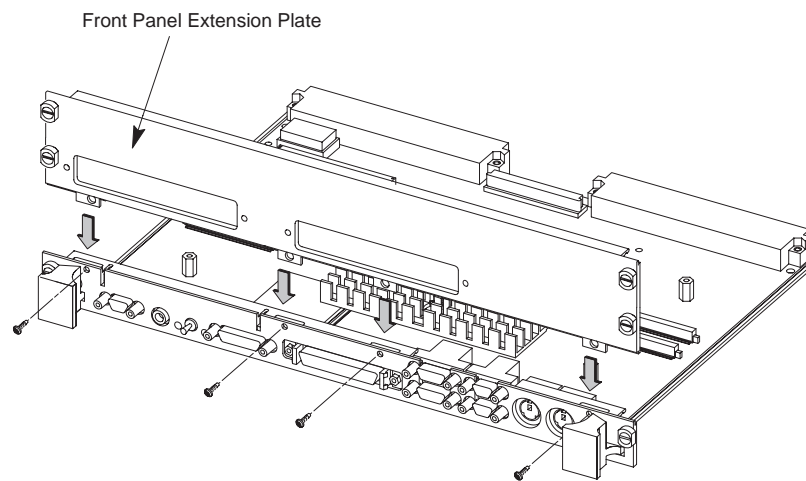
- b. Align the new boot ROM in its socket at location U54, with the keyed corner matching the socket's keyed corner.
- c. Carefully press the new boot ROM into its socket.

Step 9. Fit the 2-slot Expansion Plate to the 74x Single Board Computer, to enable it to house the HP-HSC ATM/155 adapter. This means that when an HP-HSC ATM/155 adapter is installed in the 74x Single Board Computer, the 74x occupies 3 VME slots in the System Enclosure.

To fit the 2-slot expansion plate to your 74x Single Board Computer, follow these steps (note that you need a No. 1 Pozidriv screwdriver):

- a. Remove the expansion plate already fitted to the 74x Single Board Computer (keep the four screws).
- b. Fit the 2-slot face plate on the 74x Single Board Computer's front panel so that its tabs are behind the 74x front panel, as shown in Figure 2-2 below.

Figure 2-2 Fitting the 2-Slot Face Plate



- c. Fix the 2-slot face plate to the 74x front panel, by using the four screws you removed in substep a.

Step 10. Install the HP-HSC ATM/155 adapter in the 74x Single Board Computer.

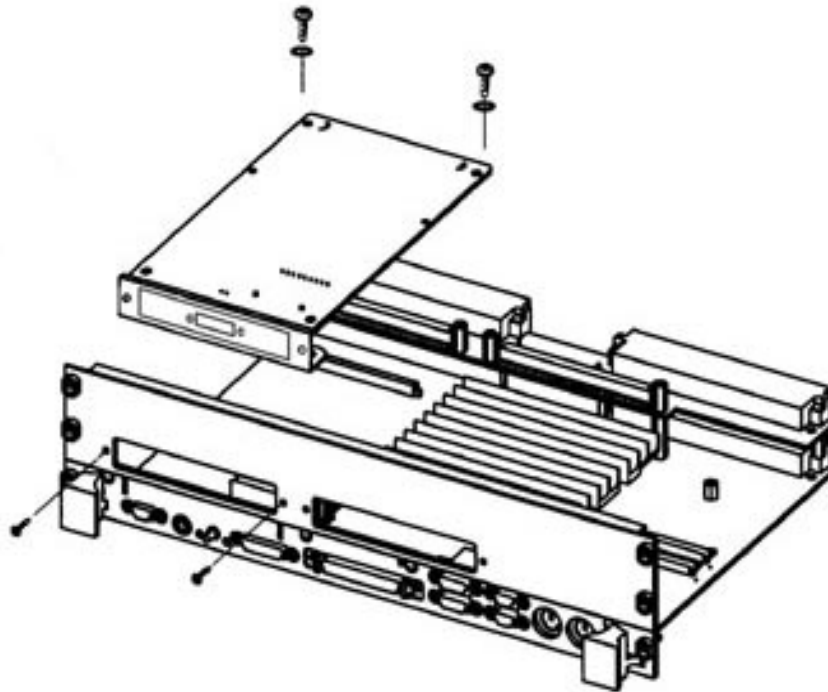
Working from the rear of your 74x Single Board Computer, you can install the ATM adapter into the right-hand or center position, by following these steps:

Installing the HP-HSC ATM/155 Adapter

Installation Steps

- a. Position the ATM adapter in the right-hand or center slot, and line up its connector over the connector on the 74x Single Board Computer.
- b. Press the adapter firmly down to fully engage the connectors.
- c. Secure the ATM adapter to the adapter fixture on the 74x by using the two plastic screws and washers supplied with the adapter.
- d. Secure the adapter to the 74x's front panel expansion plate by using the two screws that were used with the blank panel. Figure 2-3 below shows the two locations where you need to secure the adapter.

Figure 2-3 **Securing the ATM Adapter**

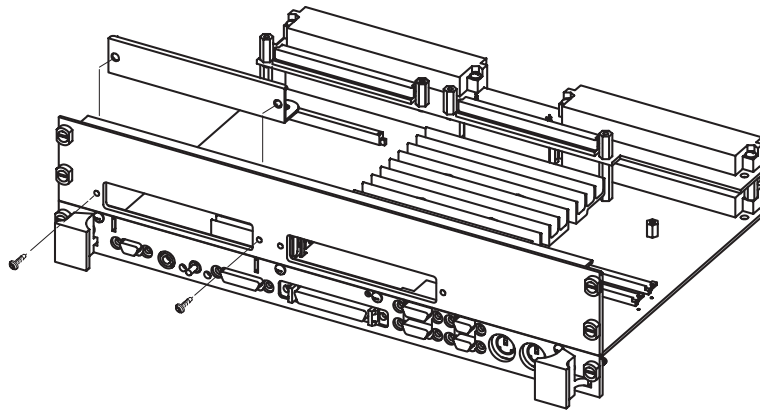


- e. If you are installing a second ATM adapter, repeat substeps a through d to install the second adapter in the remaining open slot.

If you are not installing a second adapter, go to step 11.

Step 11. Install a blank cover on any open slots, by using a No. 1 Pozidriv screwdriver to tighten the screws. Figure 2-4 below shows where the screws are located.

Figure 2-4 **Installing a Blank Cover**



- Step 12.** See your *74x Owner's Guide* for the steps to reinstall the 74x Single Board Computer in the System Enclosure. Then, go to step 13.
- Step 13.** Reconnect the cables and/or terminators.
- Step 14.** Power up your Model 74x Single Board Computer.
- Step 15.** Go to "Verifying Hardware Installation" on page 26 (below).

Verifying Hardware Installation

To verify that you have correctly installed the HP-HSC ATM/155 adapter, follow these steps:

- Step 1.** Look at the Carrier LED on the ATM adapter. A green light means that the hardware installation was successful and that the ATM cables are correctly connected.
- Step 2.** If the LED is not green, do the following things:
 - a.** Ensure that the system and the ATM switch are powered on.
 - b.** Swap (with each other) the transmit and receive cables connected to the ATM adapter.
- Step 3.** If the LED is still not green, see the *ATM Configuration and Troubleshooting Guide* for troubleshooting information.